

Programs After Market Services (PAMS) Technical Documentation

Appendix 1 TRANSCEIVER NHE-6NX VARIANTS

NHE-6 Transceiver

Introduction	Page 5
General	Page 5
Product and Module List of NHE-6NX	Page 5
Exploded View of Transceiver NHE-6NX	Page 6
Assembly Parts of Transceiver NHE-6NX	Page 7
Introduction to Transceiver NHE-6BM	Page 9
Product and Module List of NHE-6BM	Page 9
Exploded View of Transceiver NHE-6BM	Page 10
Assembly Parts of Transceiver NHE-6BM	Page 11

This page intentionally left blank.

Introduction

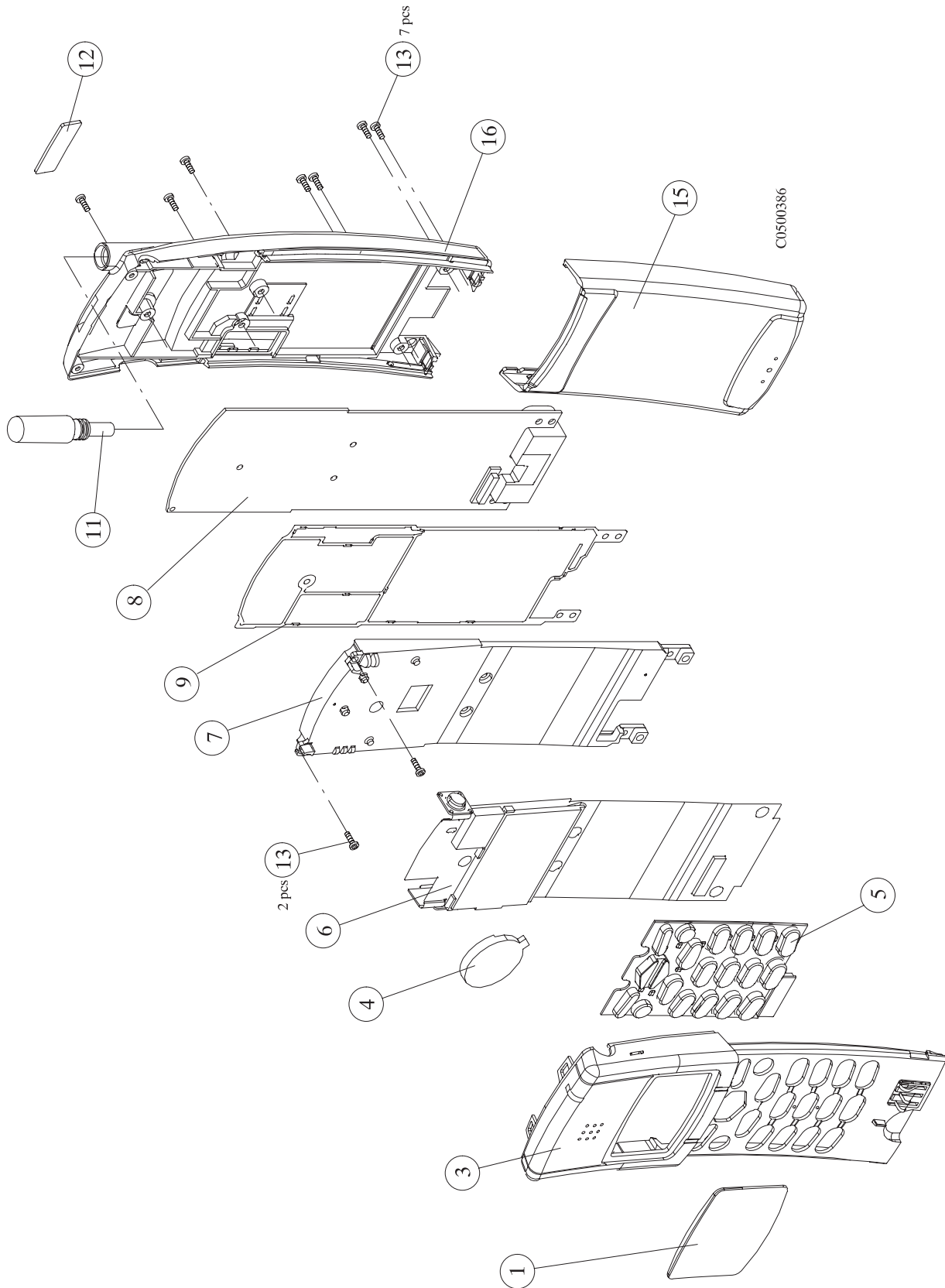
General

The NHE-6NX transceiver variant is described here.

Product and Module List of NHE-6NX

Unit/type:	Product code:	Module code:
Transceiver NHE-6NX	0500386	
• system module GJ8		0200591
• UIF module GU8		0200558
• MCU SW Module		0240265
• mechanics MNHE6NX		0260563

Exploded View of Transceiver NHE-6NX



Assembly Parts of Transceiver NHE-6NX

ITEM	Q'TY	CODE	DESCRIPTION	VALUE, TYPE
1		9457311	Window	DMC00010
		9457937	Window (i-version)	DMC01189
3		9457293	Front cover	DMC00063
4		5140035	Speaker and spring	32 Ω 20 mm;
5		9790165	Keypad	DMC00007
6		0200558	UIF module GU8	
7		9460182	Shield	DMC00098
8		0200591	RF/System module GJ8	
9		9510341	Metal gasket	DMD01567
11		0660126	Antenna Helical	GSM 890-960 MHz
12		9430106	Logo plate	DMD00356
13	9	6190003	Screw	M1.6x6
15		9457314	Slide cover	DMC00049
16		9460181	Back part	DMC00099
		9790164	Power keypad	DMC00009
		9790163	Volume keypad	DMD00097
		9380535	Continuous sheet	(print acc. DMP00381)
		9450581	Connector cover	3D 25768
		9480285	Buzzer gasket	DMD01180

This page intentionally left blank.

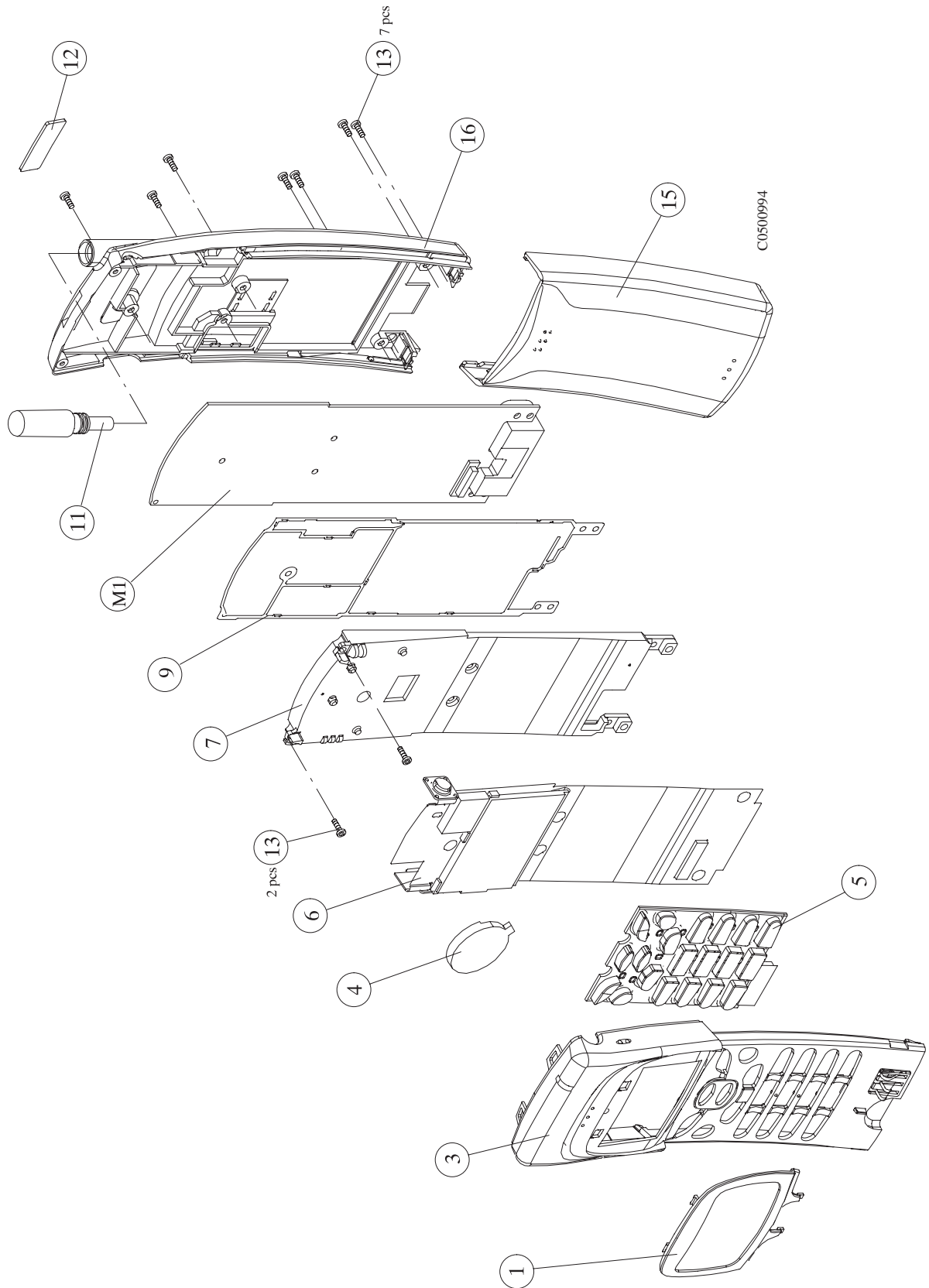
Introduction to Transceiver NHE-6BM

The NHE-6BM transceiver, together with battery pack ensures all the desirable features e.g. alphanumeric display and keypad, menu-control, shortcode memory, retractable antenna etc. are available in a very small and light cellular handportable.

Product and Module List of NHE-6BM

Unit/type:	Product code:	Module code:
Transceiver NHE-6BM	0500994	
• system module GJ8A		0201017
• UIF module GU8		0200558
• MCU SW Module		0240363
• mechanics MNHE6BX		0260838

Exploded View of Transceiver NHE-6BM



Assembly Parts of Transceiver NHE-6BM

ITEM	Q'TY	CODE	DESCRIPTION	VALUE, TYPE
1		9457862	Window	DMC00954
1		9457937	Window	DMC01189
3		9457362	A-cover assembly	DMC00198
4		5140035	Dynamic earpiece capsule	32Ω 20 mm
5		9790205	Printed keymat	DMC00204
6		0200558	UIF module	GU8
7		9460182	Shield	DMC00098
M1		0201017	RF/System module	GJ8A
9		9510341	Metal gasket	DMD01567
11		0660126	Antenna Helical	GSM 890-960 MHz
12		9430106	Logo plate	DMD00356
13	9	6190003	Screw M1.6x6	DMD00525 T6
15		9457359	Slide assembly style-2	DMC00193
16		9460181	Back part	DMC00099
		9380535	Continuous sheet	(print acc. DMP0001913)
		9790164	Power keypad	DMC00009
		9790163	Volume keypad	DMD00097
		9450581	Connector cover	3D 25768
		9480285	Buzzer gasket	DMD01180

This page intentionally left blank.